



PART NUMBER:	DATE:
PROJECT #:	TYPE:
PREPARED BY:	

PART NUMBER:

FPAR16/GU10/35

35W PAR16 GU10 Halogen

Fusion Halogen lamps are designed to perform and deliver a bright, clear light that is perfect for retail and hospitality applications and since these lamps deliver more lumens per watt, have perfect color rendering, consume less energy and last longer than standard incandescent lamps, they are the ideal, cost efficient choice for most applications.


FEATURES & BENEFITS:

- High Colour Rendering – 99+ CRI providing excellent colour rendering for colour sensitive application
- Reduced UV radiation – Treated glass lens helps reduce UV radiation
- Glare Reduction and Maximum light distribution - Pebbled Lens ensures minimized glare and maximum light distribution
- Long life – Longer life when compared to incandescent lamps
- Superior efficacy
- Aluminum coated reflector
- Uniform beam pattern
- Fully dimmable
- Dramatically showcases merchandise
- Crisp halogen light provides vivid colours and textures
- Reduces maintenance cost with fewer re-lamps

AVAILABLE TYPES:

- PAR16 35W and 50W
- FJ Series 150W, 300W, 500W
- FJC Series 10W, 20W, 35W & 50W
- FJD Series 25W & 40W
- MR16 20W, 35W, 50W & 70W
- PAR38 45W, 60W, 75W and 90W

APPLICATIONS:

- Retail: Malls, Shopping Centers, Stores, etc.
- Hospitality: Restaurants, Hotels, etc.
- Commercial: Offices Businesses – Ambient Lighting, Recessed Lighting, etc.

APPROVALS

RoHS
COMPLIANT

KELVIN (CCT):
3000K 830

ORDERING INFORMATION:

PART NUMBER	DESCRIPTION	CASE QTY	CASE DIMENSIONS	CASE WEIGHT
FPAR16/GU10/35	35W PAR16 GU10 Halogen	200	460 x 270 x 400 mm - 18.11 x 10.63 x 15.75 in	11.2kg - 24.7lbs

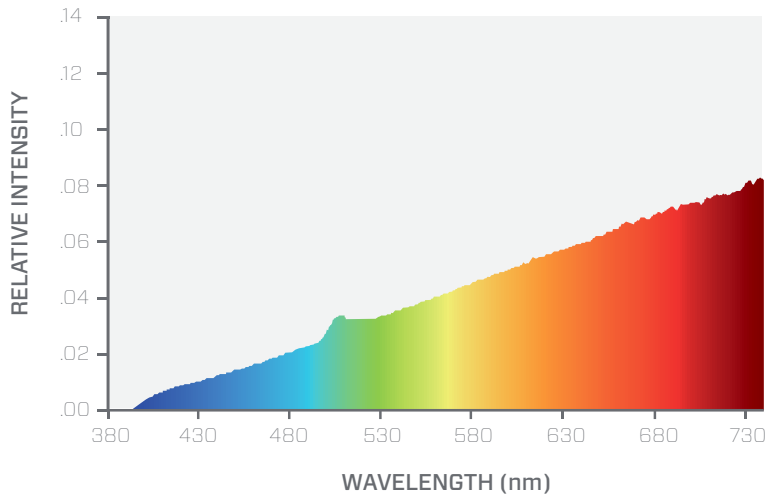
OPERATING SPECIFICATIONS:

PART NUMBER	LAMP WATTS	LAMP OPERATING VOLTAGE	INITIAL LUMENS	EFFICACY (LPW)	MAX BEAM CANDLE POWER
FPAR16/GU10/35	35W	130V	300 lm	11.4	600cd

OPERATING SPECIFICATIONS:

PART NUMBER	BEAM ANGLE	RATED LIFE	CCT	CRI	WARRANTY
FPAR16/GU10/35	26	2,000 hrs	3000K	99	1 Year

SPECTRAL POWER DISTRIBUTION - 3000K (830)



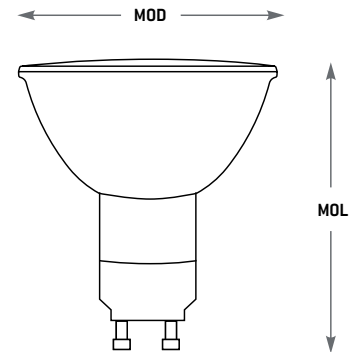
ELECTRICAL SPECIFICATIONS:

PART NUMBER	LAMP WATTS	LAMP OPERATING VOLTAGE
FPAR16/GU10/35	35W	130V

PHYSICAL SPECIFICATIONS:

PART NUMBER	LAMP STYLE	SOCKET	FINISH
FPAR16/GU10/35	PAR16	GU10	Aluminum

MAX. OVERALL LENGTH (MOL)	MAX. OVERALL DIAMETER (MOD)
52.5 mm - 2.06"	50 mm - 1.97"



* NOTE: Physical specifications are the same for all colour temperatures

