



KELVIN (CCT):

3000K 830

| | |
|--------------|-------|
| PART NUMBER: | DATE: |
| PROJECT #: | TYPE: |
| PREPARED BY: | |

PART NUMBER:

FMR16/EXN

50W MR16 EXN Halogen

Fusion Halogen lamps are designed to perform and deliver a bright, clear light that is perfect for retail and hospitality applications and since these lamps deliver more lumens per watt, have perfect color rendering, consume less energy and last longer than standard incandescent lamps, they are the ideal, cost efficient choice for most applications.

FEATURES & BENEFITS:

- High Colour Rendering – 99+ CRI providing excellent colour rendering for colour sensitive application
- Reduced UV radiation – Treated glass lens helps reduce UV radiation
- Glare Reduction and Maximum light distribution - Pebbled Lens ensures minimized glare and maximum light distribution
- Long life – Longer life when compared to incandescent lamps
- Superior efficacy
- Aluminum coated reflector
- Uniform beam pattern
- Fully dimmable
- Dramatically showcases merchandise
- Crisp halogen light provides vivid colours and textures
- Reduces maintenance cost with fewer re-lamps

AVAILABLE TYPES:

- PAR16 35W and 50W
- FJ Series 150W, 300W, 500W
- FJC Series 10W, 20W, 35W & 50W
- FJD Series 25W & 40W
- MR16 20W, 35W, 50W & 70W
- PAR38 45W, 60W, 75W and 90W

APPLICATIONS:

- Retail: Malls, Shopping Centers, Stores, etc.
- Hospitality: Restaurants, Hotels, etc.
- Commercial: Offices Businesses – Ambient Lighting, Recessed Lighting, etc.

APPROVALS



RoHS
COMPLIANT

ORDERING INFORMATION:

| PART NUMBER | DESCRIPTION | CASE QTY | CASE DIMENSIONS | CASE WEIGHT |
|-------------|----------------------|----------|---|-----------------|
| FMR16/EXN | 50W MR16 EXN Halogen | 200 | 420 x 260 x 340 mm - 16.54 x 10.24 x 13.38 in | 9.8kg - 21.6lbs |

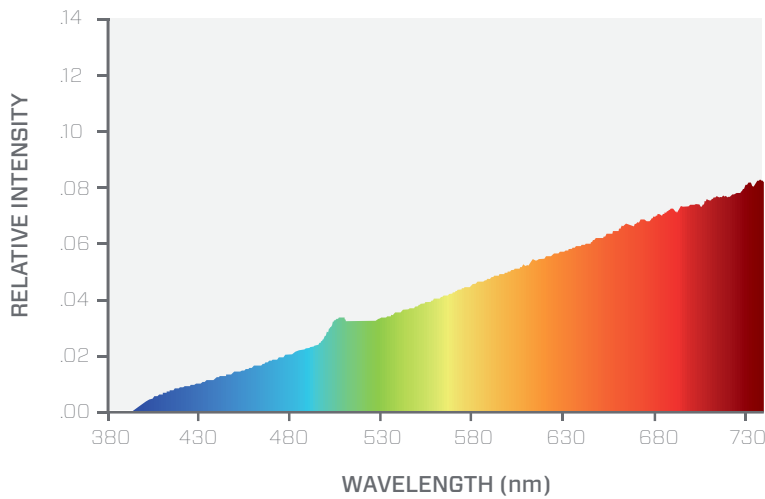
OPERATING SPECIFICATIONS:

| PART NUMBER | LAMP WATTS | LAMP OPERATING VOLTAGE | INITIAL LUMENS | EFFICACY (LPW) | MAX BEAM CANDLE POWER |
|-------------|------------|------------------------|----------------|----------------|-----------------------|
| FMR16/EXN | 50W | 12V | 650 lm | 16.1 | 1500cd |

OPERATING SPECIFICATIONS:

| PART NUMBER | BEAM ANGLE | RATED LIFE | CCT | CRI | WARRANTY |
|-------------|------------|------------|-------|-----|----------|
| FMR16/EXN | 33 | 4,000 hrs | 3000K | 99 | 1 Year |

SPECTRAL POWER DISTRIBUTION - 3000K (830)



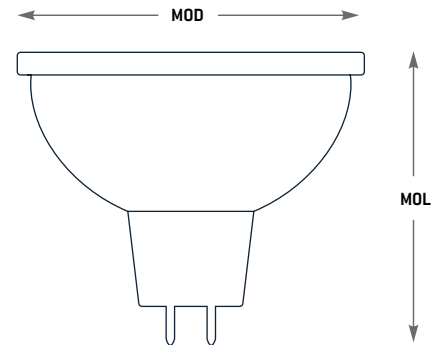
ELECTRICAL SPECIFICATIONS:

| PART NUMBER | LAMP WATTS | LAMP OPERATING VOLTAGE |
|-------------|------------|------------------------|
| FMR16/EXN | 50W | 12V |

PHYSICAL SPECIFICATIONS:

| PART NUMBER | LAMP STYLE | SOCKET | FINISH |
|-------------|------------|--------|----------|
| FMR16/EXN | MR16 | GU5.3 | Dichroic |

| MAX. OVERALL LENGTH (MOL) | MAX. OVERALL DIAMETER (MOD) |
|---------------------------|-----------------------------|
| 45mm - 1.77" | 50mm - 1.97" |



* NOTE: Physical specifications are the same for all colour temperatures

