



PART NUMBER:	DATE:
PROJECT #:	TYPE:
PREPARED BY:	

PART NUMBER:

## FLED7MR16FLD8\*\*/G4

### LED 7W MR16 FLOOD

FUSION's LED PAR16, PAR20 & PAR38, MR16, BR30 & A19 lamps are designed to perform and offer exceptional life, high efficacy, and easy integration within your existing lighting fixtures, making it a simple and cost effective switch. Make your space more energy efficient using Fusion's impressive line of Energy Star qualified LED lamps; brighten your spaces with accented and focussed light, whilst saving money. Bring your space into the 21st century, and light your commercial or residential space with Fusion LED Lamps.



FEATURES & BENEFITS:

- Energy Star Approved & Listed
- 5 Year Warranty
- > 25,000 Hour Long Life Equates To Lower Maintenance Costs
- State of Art Technology
- Design Style
- Industry Standard Lamp Bases
- Dimmable to 5%
- Contains No Mercury or Lead
- Creates Punch & Pizzazz and Visually Appealing Aesthetics
- Targeted And Controlled Light For Better Design
- Low Energy Usage Equates To Benefits For The Environment
- Exceptional Heat Control As A result Of Fusion LED Technology

APPROVALS



KELVIN (CCT):

- 3000K** 830
- 4000K** 840

AVAILABLE TYPES:

- 6W PAR16
- 7W PAR20
- 10W PAR30
- 15W PAR38
- 17W PAR38
- 6W MR16
- 7W MR16
- 7W A19
- 9.5W A19

APPLICATIONS:

- Offices - Ambient Lighting, Task Lighting, etc.
- Retail Stores - Ambient Lighting, Showcase Lighting, etc.
- Restaurants - Accent Lighting, Ambient Lighting, atmosphere creation, etc.
- Hotels - Accent Lighting, Ambient Lighting, etc.
- Recreational Facilities - Accent lighting, Ambient Lighting, etc.

ORDERING INFORMATION:

PART NUMBER	DESCRIPTION	CASE QTY	CASE DIMENSIONS	CASE WEIGHT
FLED7MR16FLD830/G4	Fusion LED 7W MR16 Flood 3000K	24	366 x 249 x 111mm / 13.2 x 9.8 x 4.4"	2.0 KG / 4.4 LB
FLED7MR16FLD840/G4	Fusion LED 7W MR16 Flood 4000K	24	366 x 249 x 111mm / 13.2 x 9.8 x 4.4"	2.0 KG / 4.4 LB

OPERATING SPECIFICATIONS:

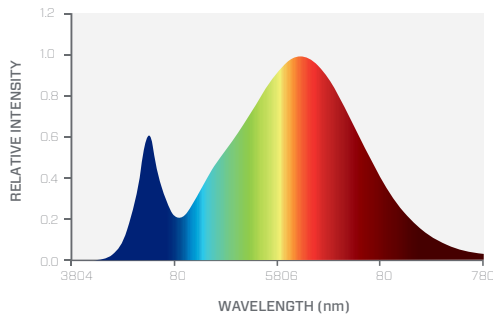
PART NUMBER	LAMP WATTS	LUMENS	EFFICACY (LPW)	CCT	CRI	CERT1	CERT2	DIMMABLE	RATED LIFE	WARRANTY
FLED7MR16FLD830/G4	7W	500 lm	71.4	3000K	80	cULus	EnergyStar	YES	25,000 hrs	5 Years
FLED7MR16FLD840/G4	7W	500 lm	71.4	4000K	80	cULus	No	YES	25,000 hrs	5 Years

9 8 . 6  
9 8 . 6

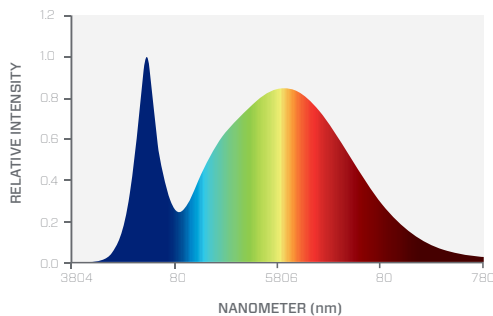
**ELECTRICAL SPECIFICATIONS:**

PART NUMBER	LAMP WATTS	LAMP OPERATING VOLTAGE	LAMP OPERATING CURRENT (mA)	OPERATING FREQUENCY	POWER FACTOR	DRIVER	MAX THD%
FLED7MR16FLD830/G4	7W +10%	12VAC +10%	840	60 Hz	> 0.7	Integral	98.6
FLED7MR16FLD840/G4	7W +10%	12VAC +10%	840	60 Hz	> 0.7	Integral	98.6

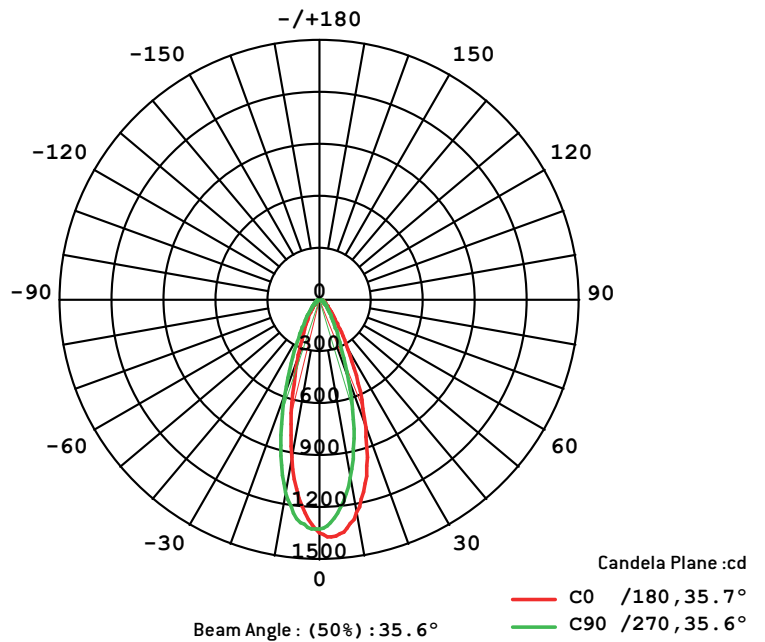
**SPECTRAL POWER DISTRIBUTION - 3000K (830)**



**SPECTRAL POWER DISTRIBUTION - 4000K (840)**



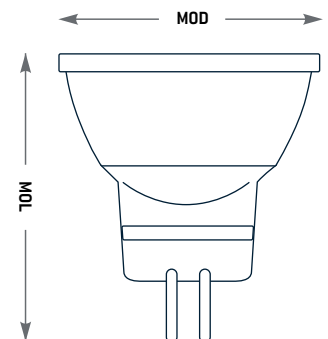
**LUMINANCE DISTRIBUTION DIAGRAM**



**PHYSICAL SPECIFICATIONS:**

PART NUMBER	LAMP STYLE	BASE	MAX. OVERALL LENGTH (MOL)	MAX. OVERALL DIAMETER (MOD)
FLED7MR16FLD8**/G4	MR16	GU5.3	1.9" [48mm]	2.0" [50mm]

WEIGHT	OPERATING TEMP.	STORAGE TEMP.
49g / 1.7oz	-40°C - +40°C	-40°C - +40°C



\* NOTE: Physical specifications are the same for all colour temperatures

