



KELVIN (CCT):

- 3000K** 830
- 4000K** 840

AVAILABLE TYPES:

- 6W PAR16
- 7W PAR20
- 10W PAR30
- 15W PAR38
- 17W PAR38
- 6W MR16
- 7W MR16
- 7W A19
- 9.5W A19

| | |
|--------------|-------|
| PART NUMBER: | DATE: |
| PROJECT #: | TYPE: |
| PREPARED BY: | |

PART NUMBER:

FLED6MR16FLD8**/G4

LED 6W MR16 FLOOD

FUSION's LED PAR16, PAR20 & PAR38, MR16, BR30 & A19 lamps are designed to perform and offer exceptional life, high efficacy, and easy integration within your existing lighting fixtures, making it a simple and cost effective switch. Make your space more energy efficient using Fusion's impressive line of Energy Star qualified LED lamps; brighten your spaces with accented and focussed light, whilst saving money. Bring your space into the 21st century, and light your commercial or residential space with Fusion LED Lamps.

FEATURES & BENEFITS:

- Energy Star Approved & Listed
- 5 Year Warranty
- > 25,000 Hour Long Life Equates To Lower Maintenance Costs
- State of Art Technology
- Design Style
- Industry Standard Lamp Bases
- Dimmable to 5%
- Contains No Mercury or Lead
- Creates Punch & Pizzazz and Visually Appealing Aesthetics
- Targeted And Controlled Light For Better Design
- Low Energy Usage Equates To Benefits For The Environment
- Exceptional Heat Control As A result Of Fusion LED Technology

APPLICATIONS:

- Offices - Ambient Lighting, Task Lighting, etc.
- Retail Stores - Ambient Lighting, Showcase Lighting, etc.
- Restaurants - Accent Lighting, Ambient Lighting, atmosphere creation, etc.
- Hotels - Accent Lighting, Ambient Lighting, etc.
- Recreational Facilities - Accent lighting, Ambient Lighting, etc.

APPROVALS



ORDERING INFORMATION:

| PART NUMBER | DESCRIPTION | CASE QTY | CASE DIMENSIONS | CASE WEIGHT |
|--------------------|--------------------------------|----------|---------------------------------------|-----------------|
| FLED6MR16FLD830/G4 | Fusion LED 6W MR16 Flood 3000K | 24 | 366 x 249 x 111mm / 13.2 x 9.8 x 4.4" | 1.8 KG / 4.0 LB |
| FLED6MR16FLD840/G4 | Fusion LED 6W MR16 Flood 4000K | 24 | 366 x 249 x 111mm / 13.2 x 9.8 x 4.4" | 1.8 KG / 4.0 LB |

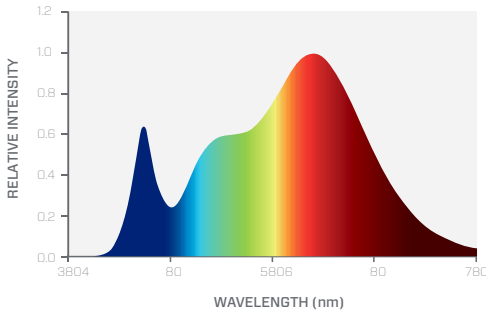
OPERATING SPECIFICATIONS:

| PART NUMBER | LAMP WATTS | LUMENS | EFFICACY (LPW) | CCT | CRI | CERT1 | CERT2 | DIMMABLE | RATED LIFE | WARRANTY |
|--------------------|------------|--------|----------------|-------|-----|-------|------------|----------|------------|----------|
| FLED6MR16FLD830/G4 | 6W | 410 lm | 68.3 | 3000K | 80 | cULus | EnergyStar | YES | 25,000 hrs | 5 Years |
| FLED6MR16FLD840/G4 | 6W | 410 lm | 68.3 | 4000K | 80 | cULus | No | YES | 25,000 hrs | 5 Years |

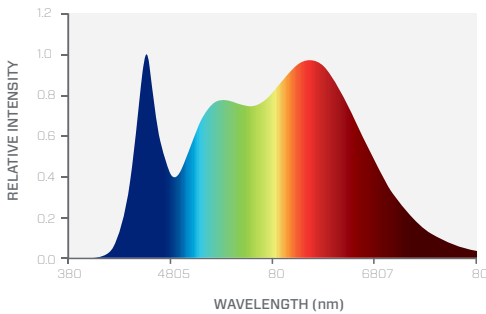
ELECTRICAL SPECIFICATIONS:

| PART NUMBER | LAMP WATTS | LAMP OPERATING VOLTAGE | LAMP OPERATING CURRENT (mA) | OPERATING FREQUENCY | POWER FACTOR | DRIVER | MAX THD% |
|--------------------|------------|------------------------|-----------------------------|---------------------|--------------|----------|----------|
| FLED6MR16FLD830/G4 | 6W +10% | 12VAC +10% | 700 | 60 Hz | > 0.7 | Integral | 98.6 |
| FLED6MR16FLD840/G4 | 6W +10% | 12VAC +10% | 700 | 60 Hz | > 0.7 | Integral | 98.6 |

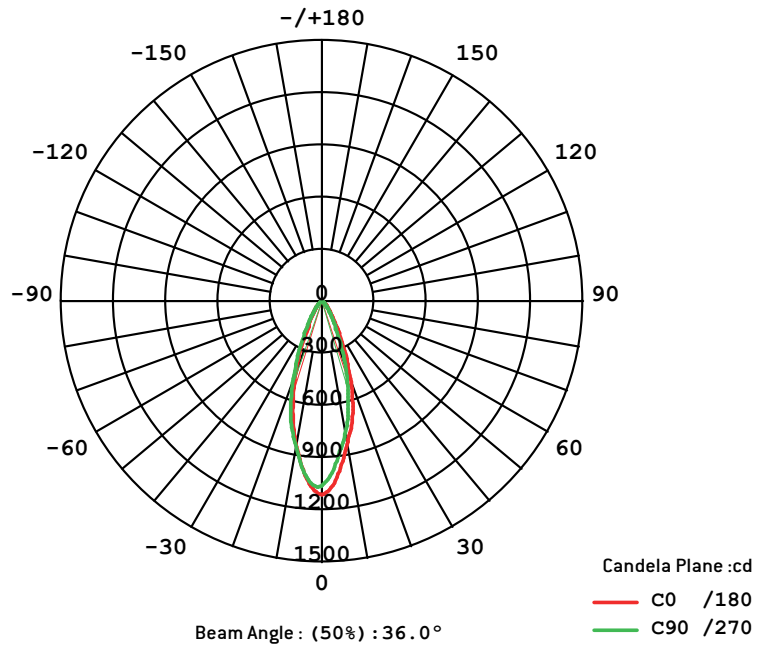
SPECTRAL POWER DISTRIBUTION - 3000K (830)



SPECTRAL POWER DISTRIBUTION - 4000K (840)



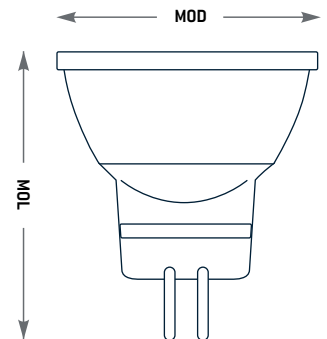
LUMINANCE DISTRIBUTION DIAGRAM



PHYSICAL SPECIFICATIONS:

| PART NUMBER | LAMP STYLE | BASE | MAX. OVERALL LENGTH (MOL) | MAX. OVERALL DIAMETER (MOD) |
|--------------------|------------|-------|---------------------------|-----------------------------|
| FLED6MR16FLD8**/G4 | MR16 | GU5.3 | 1.9" [48mm] | 2.0" [50mm] |

| WEIGHT | OPERATING TEMP. | STORAGE TEMP. |
|-------------|-----------------|---------------|
| 41g / 1.5oz | -40°C - +40°C | -40°C - +40°C |



* NOTE: Physical specifications are the same for all colour temperatures

