



PART NUMBER:	DATE:
PROJECT #:	TYPE:
PREPARED BY:	

PART NUMBER:

FLED5MR16FLD8**/G5

LED 5W MR16 GEN 5 FLOOD

Fusion's lamps are designed to perform and offer exceptional life, high efficacy, and easy integration within your existing lighting fixtures, making it a simple and cost effective switch. Make your space more energy efficient using Fusion's impressive line of Energy Star qualified LED lamps; brighten your spaces with accented and focussed light, whilst saving money. Bring your space into the 21st century, and light your commercial or residential space with Fusion LED Lamps.

FEATURES & BENEFITS:

- Up to 83% energy savings
- Up to 25,000 hour life
- Input 12 Volts AC
- GU5.3 Base
- Dimmable up to 5%
- 80 CRI, flood beam spread
- Contains no mercury or lead
- Damp location listed
- Minimum starting temp. -20°C

AVAILABLE TYPES:

- 5W PAR16
- 6.5W PAR16
- 7W PAR20
- 11W PAR30
- 15W PAR38
- 17W PAR38
- 5W MR16
- 6.5W MR16
- 9.5W A19 OMNI
- 9.5W A19
- 4.7W B11
- 6.5W B13
- 4.7W G16 GLB
- 7W G25 GLB

APPLICATIONS:

- Offices - Ambient Lighting, Task Lighting, etc.
- Retail Stores - Ambient Lighting, Showcase Lighting, etc.
- Restaurants - Accent Lighting, Ambient Lighting, atmosphere creation, etc.
- Hotels - Accent Lighting, Ambient Lighting, etc.
- Recreational Facilities - Accent lighting, Ambient Lighting, etc.

APPROVALS



KELVIN (CCT):

2700K 827

3000K 830

ORDERING INFORMATION:

PART NUMBER	DESCRIPTION	CASE QTY	CASE DIMENSIONS	CASE WEIGHT
FLED5MR16FLD827/G5	Fusion LED 5W MR16 Flood 2700K	24	323 x 217 x 60 mm / 12.7 x 8.54 x 2.36"	0.2kg - 0.44lbs
FLED5MR16FLD830/G5	Fusion LED 5W MR16 Flood 3000K	24	323 x 217 x 60 mm / 12.7 x 8.54 x 2.36"	0.2kg - 0.44lbs

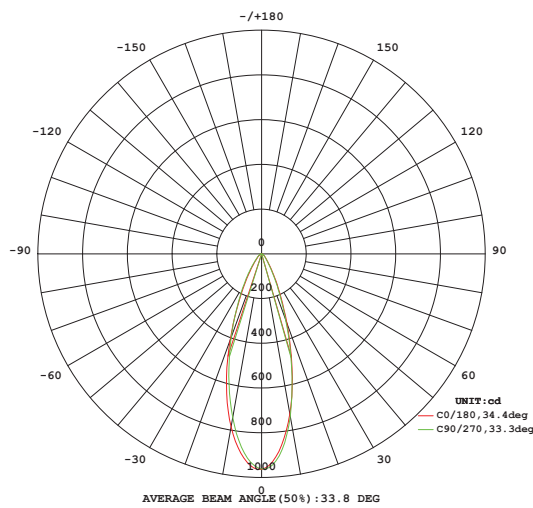
OPERATING SPECIFICATIONS:

PART NUMBER	LAMP WATTS	LUMENS	EFFICACY (LPW)	CCT	CRI	CERT1	CERT2	DIMMABLE	RATED LIFE	WARRANTY
FLED5MR16FLD827/G5	5W	420 lm	91.76	2700K	80	cULus	Energy Star	YES	25,000 hrs	5 Years
FLED5MR16FLD830/G5	5W	420 lm	91.76	3000K	80	cULus	Energy Star	YES	25,000 hrs	5 Years

ELECTRICAL SPECIFICATIONS:

PART NUMBER	LAMP WATTS	LAMP OPERATING VOLTAGE	LAMP OPERATING CURRENT (mA)	OPERATING FREQUENCY	POWER FACTOR
FLED5MR16FLD827/G5	5W+-10%	12V+-10%	580	60 Hz	> 0.7
FLED5MR16FLD830/G5	5W+-10%	12V+-10%	580	60 Hz	> 0.7

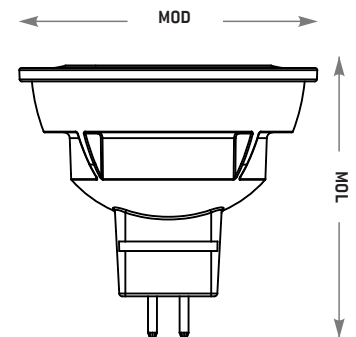
LUMINANCE DISTRIBUTION CHART



PHYSICAL SPECIFICATIONS:

PART NUMBER	LAMP STYLE	BASE	MAX. OVERALL LENGTH (MOL)	MAX. OVERALL DIAMETER (MOD)
FLED5MR168**/G5	MR16	GU5.3	1.81" (46mm)	1.96" (50mm)

WEIGHT	OPERATING TEMP.	STORAGE TEMP.
31.5g - 1.110z	-20°C - +40°C	-40°C - +85°C



* NOTE: Physical specifications are the same for all colour temperatures.

