

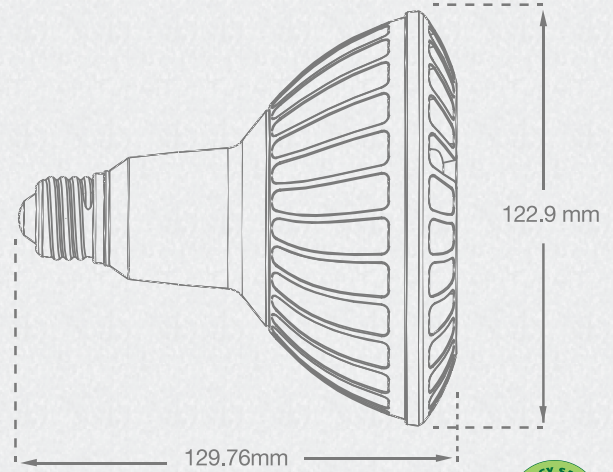
Contractor:	
Project:	Date:
Prepared by:	Model#:



17W LED PAR38

FLED SERIES SPECIFICATION

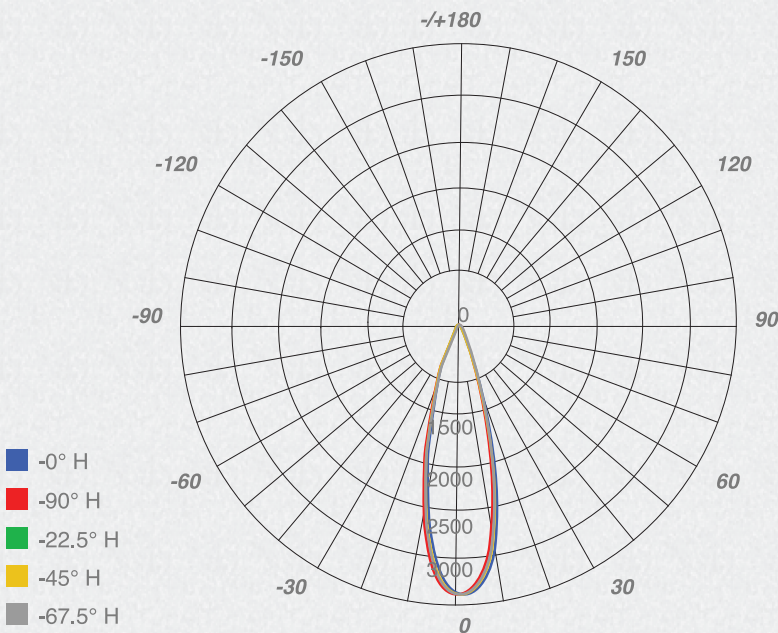
To supply and install Fusion brand Integrated LED lamps as specified. The lamp shall be constructed of a die-cast aluminum heat sink with integrated driver and LED cluster, with an E26 or Medium Base for screw-in operation. The LED shall provide a CRI of at least 80 for improved colour rendering, and a minimum efficacy as listed by the lamp specification. The lamps shall be dimmable. The lamp shall be Energy Star and cULus approved.



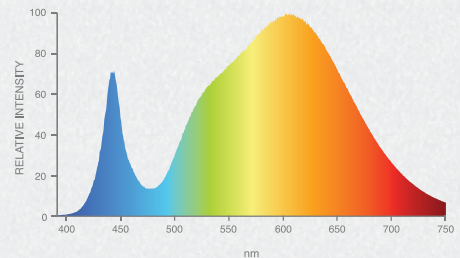
PERFORMANCE SPECIFICATIONS

Part Number	Luminous Flux	Efficacy (lm/W)	Colour Temp.	CRI	Beam Angle	Dimmable	Rated Life	Warranty	Approvals
FLED17PAR38/ESDM/827	928 lm	54 lm/W	2700K	84.2 R ₀	30°	Yes	25,000 hrs	5 Years	Energy Star, cULus
FLED17PAR38/ESDM/830	988 lm	58 lm/W	3000K	82.8 R ₀	30°	Yes	40,000 hrs	5 Years	Energy Star, cULus
FLED17PAR38/ESDM/840	1,051 lm	62 lm/W	4000K	83.3 R ₀	30°	Yes	25,000 hrs	5 Years	Energy Star, cULus

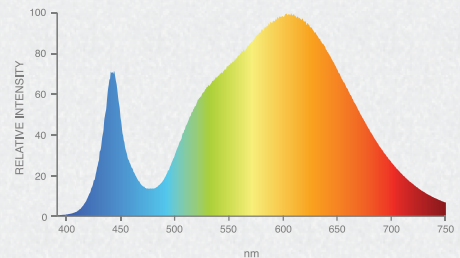
1 - LUMINANCE DISTRIBUTION DIAGRAM



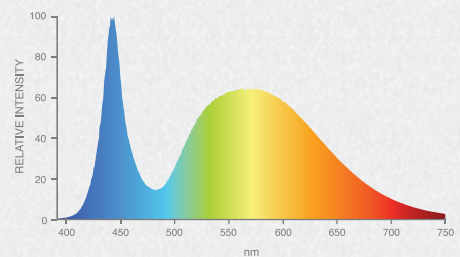
2.1 - SPECTRAL DISTRIBUTION DIAGRAM - 827



2.2 - SPECTRAL DISTRIBUTION DIAGRAM - 830



2.2 - SPECTRAL DISTRIBUTION DIAGRAM - 840



Contractor:	
Project:	Date:
Prepared by:	Model#:



ELECTRICAL SPECIFICATIONS

Part Number	Lamp Watts	Lamp Operating Voltage	Operating Frequency	Lamp Operating Current	Power Factor	Driver
FLED17PAR38/ESDM/827	17W ± 10%	120VAC ± 10%	60 Hz	0.19A ± 10%	λ ≥ 0.75	Integral
FLED17PAR38/ESDM/830	17W ± 10%	120VAC ± 10%	60 Hz	0.19A ± 10%	λ ≥ 0.75	Integral
FLED17PAR38/ESDM/840	17W ± 10%	120VAC ± 10%	60 Hz	0.19A ± 10%	λ ≥ 0.75	Integral

PHYSICAL SPECIFICATIONS

Part Number	Lamp Style	Base	Max. Overall Length (MOL)	Max. Overall Diameter (MOD)	Mass	Operating Temperature	Storage Temperature
FLED17PAR38/ESDM/827	PAR38	E26 (Medium)	129.76 ± 2.5mm	122.90 ± 0.5mm	624.5 ± 20g	-20°C ~ +40°C	-30°C ~ +60°C
FLED17PAR38/ESDM/830	PAR38	E26 (Medium)	129.76 ± 2.5mm	122.90 ± 0.5mm	624.5 ± 20g	-20°C ~ +40°C	-30°C ~ +60°C
FLED17PAR38/ESDM/840	PAR38	E26 (Medium)	129.76 ± 2.5mm	122.90 ± 0.5mm	624.5 ± 20g	-20°C ~ +40°C	-30°C ~ +60°C

ORDERING INFORMATION

Part Number	Package Dimensions	Package Weight	Case Quantity	Case Dimensions	Case Weight
FLED17PAR38/ESDM/827	142mm x 142mm x 173mm	644.5g	6	428mm x 289mm x 175mm	9.04 lbs - 4.1 kg
FLED17PAR38/ESDM/830	142mm x 142mm x 173mm	644.5g	6	428mm x 289mm x 175mm	9.04 lbs - 4.1 kg
FLED17PAR38/ESDM/840	142mm x 142mm x 173mm	644.5g	6	428mm x 289mm x 175mm	9.04 lbs - 4.1 kg

ORDERING INFORMATION

Part Number	Carton Quantity	Carton Dimensions	Carton Weight
FLED17PAR38/ESDM/827	12	443mm x 301mm x 385mm	18.08 lbs - 8.2 kg
FLED17PAR38/ESDM/830	12	443mm x 301mm x 385mm	18.08 lbs - 8.2 kg
FLED17PAR38/ESDM/840	12	443mm x 301mm x 385mm	18.08 lbs - 8.2 kg

COLOUR CODING 27000k **827** 3000k **830** 4000k **840**

