

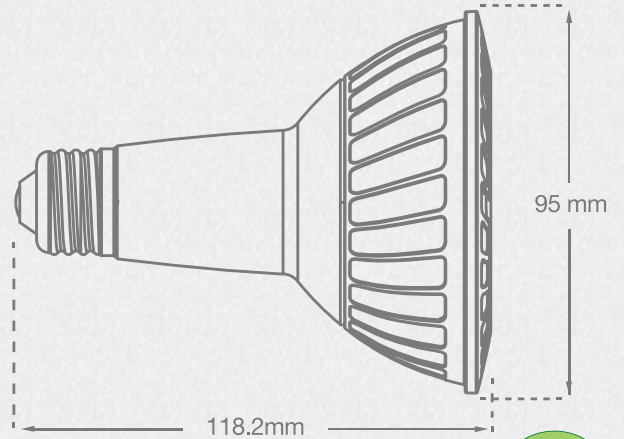
| | |
|--------------|---------|
| Contractor: | |
| Project: | Date: |
| Prepared by: | Model#: |



14W LED PAR30

FLED SERIES SPECIFICATION

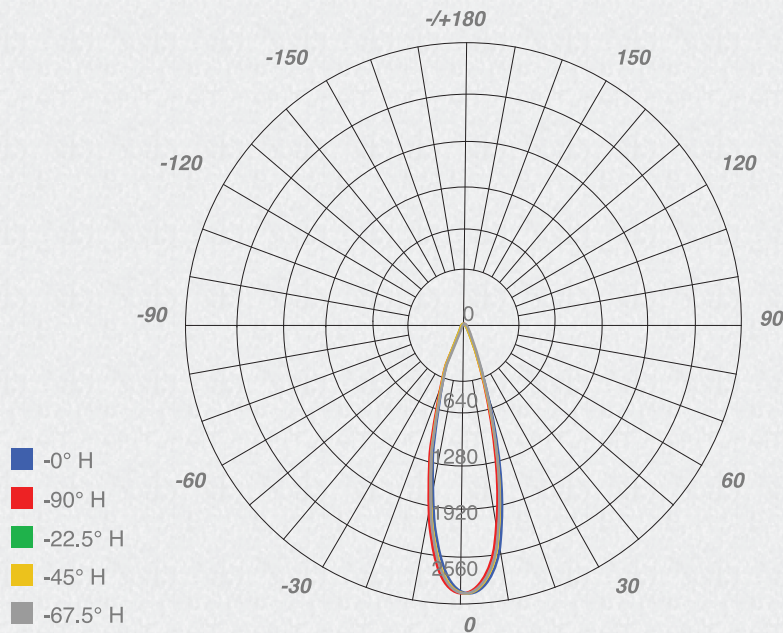
To supply and install Fusion brand Integrated LED lamps as specified. The lamp shall be constructed of a die-cast aluminum heat sink with integrated driver and LED cluster, with an E26 or Medium Base for screw-in operation. The LED shall provide a CRI of at least 80 for improved colour rendering, and a minimum efficacy as listed by the lamp specification. The lamps shall be dimmable. The lamps shall be Energy Star approved where stated. The lamps shall be cULus approved.



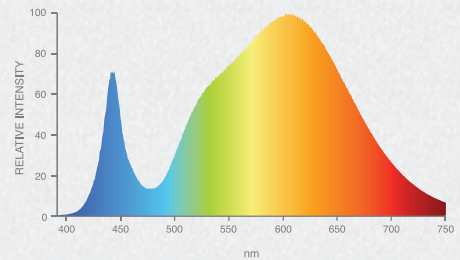
PERFORMANCE SPECIFICATIONS

| Part Number | Luminous Flux | Efficacy (lm/W) | Colour Temp. | CRI | Beam Angle | Dimmable | Rated Life | Warranty | Approvals |
|----------------------|---------------|-----------------|--------------|---------------------|------------|----------|------------|----------|--------------------|
| FLED14PAR30/ESDM/827 | 735 lm | 52 lm/W | 2700K | 84.5 R ₀ | 25° | Yes | 25,000 hrs | 5 Years | Energy Star, cULus |
| FLED14PAR30/ESDM/830 | 791 lm | 57 lm/W | 3000K | 83.1 R ₀ | 25° | Yes | 25,000 hrs | 5 Years | Energy Star, cULus |
| FLED14PAR30/ESDM/840 | 870 lm | 62 lm/W | 4000K | 80.0 R ₀ | 25° | Yes | 40,000 hrs | 5 Years | cULus |

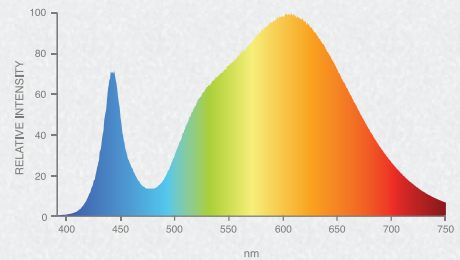
1 - LUMINANCE DISTRIBUTION DIAGRAM



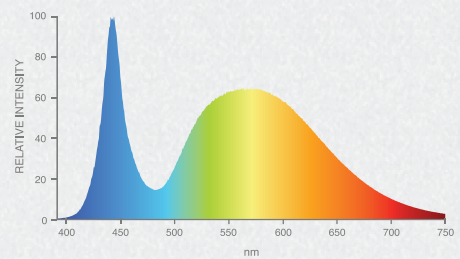
2.1 - SPECTRAL DISTRIBUTION DIAGRAM - 827



2.2 - SPECTRAL DISTRIBUTION DIAGRAM - 830



2.2 - SPECTRAL DISTRIBUTION DIAGRAM - 840



| | |
|--------------|---------|
| Contractor: | |
| Project: | Date: |
| Prepared by: | Model#: |



ELECTRICAL SPECIFICATIONS

| Part Number | Lamp Watts | Lamp Operating Voltage | Operating Frequency | Lamp Operating Current | Power Factor | Driver |
|----------------------|------------|------------------------|---------------------|------------------------|--------------|----------|
| FLED14PAR30/ESDM/827 | 14W ± 10% | 120VAC ± 10% | 60 Hz | 0.15A ± 10% | λ ≥ 0.70 | Integral |
| FLED14PAR30/ESDM/830 | 14W ± 10% | 120VAC ± 10% | 60 Hz | 0.15A ± 10% | λ ≥ 0.70 | Integral |
| FLED14PAR30/ESDM/840 | 14W ± 10% | 120VAC ± 10% | 60 Hz | 0.15A ± 10% | λ ≥ 0.70 | Integral |

PHYSICAL SPECIFICATIONS

| Part Number | Lamp Style | Base | Max. Overall Length (MOL) | Max. Overall Diameter (MOD) | Mass | Operating Temperature | Storage Temperature |
|----------------------|------------|--------------|---------------------------|-----------------------------|-------------|-----------------------|---------------------|
| FLED14PAR30/ESDM/827 | PAR30 | E26 (Medium) | 118.2 ± 3.5mm | 95 ± 0.5mm | 300.0 ± 20g | -20°C ~ +40°C | -30°C ~ +60°C |
| FLED14PAR30/ESDM/830 | PAR30 | E26 (Medium) | 118.2 ± 3.5mm | 95 ± 0.5mm | 300.0 ± 20g | -20°C ~ +40°C | -30°C ~ +60°C |
| FLED14PAR30/ESDM/840 | PAR30 | E26 (Medium) | 118.2 ± 3.5mm | 95 ± 0.5mm | 300.0 ± 20g | -20°C ~ +40°C | -30°C ~ +60°C |

ORDERING INFORMATION

| Part Number | Package Dimensions | Package Weight | Case Quantity | Case Dimensions | Case Weight | Carton Dimensions | Carton Quantity | Carton Weight |
|----------------------|--------------------|----------------|---------------|-------------------|------------------|-------------------|-----------------|-------------------|
| FLED14PAR30/ESDM/827 | 106 x 106 x 147mm | 320.0 g | 10 | 538 x 219 x 158mm | 7.7 lbs - 3.5 kg | 550 x 450 x 175mm | 20 | 15.2 lbs - 6.9 kg |
| FLED14PAR30/ESDM/830 | 106 x 106 x 147mm | 320.0 g | 10 | 538 x 219 x 158mm | 7.7 lbs - 3.5 kg | 550 x 450 x 175mm | 20 | 15.2 lbs - 6.9 kg |
| FLED14PAR30/ESDM/840 | 106 x 106 x 147mm | 320.0 g | 10 | 538 x 219 x 158mm | 7.7 lbs - 3.5 kg | 550 x 450 x 175mm | 20 | 15.2 lbs - 6.9 kg |

* **Optional Extras** - LED Tombstone Kit - FLED T KIT

COLOUR CODING 27000k **827** 3000k **830** 4000k **840**

