

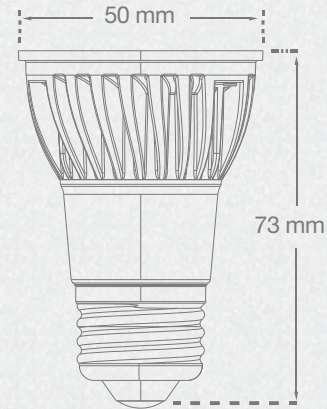
Contractor:	
Project:	Date:
Prepared by:	Model#:



# 6W LED PAR16

## FLED SERIES SPECIFICATION

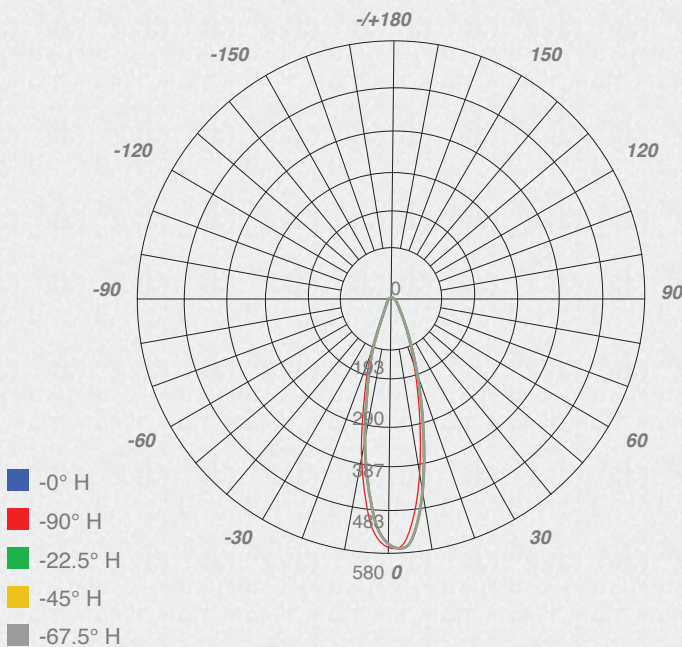
To supply and install Fusion brand Integrated LED lamps as specified. The lamp shall be constructed of a die-cast aluminum heat sink with integrated driver and LED cluster, with an E26 or Medium Base for screw-in operation. The LED shall provide a CRI of at least 80 for improved colour rendering, and a minimum efficacy as listed by the lamp specification. The lamps shall be dimmable. The lamp shall be cULus approved.



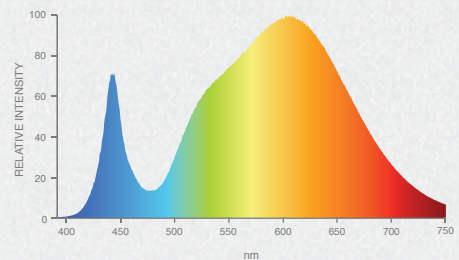
## PERFORMANCE SPECIFICATIONS

Part Number	Luminous Flux	Efficacy (lm/W)	Colour Temp.	CRI	Beam Angle	Dimmable	Rated Life	Warranty	Approvals
FLED6PAR16/ESDM/827	290 lm	56 lm/W	2700K	80.0+ R <sub>a</sub>	25°	Yes	40,000 hrs	5 Years	cULus
FLED6PAR16/ESDM/830	320 lm	60 lm/W	3000K	80.0+ R <sub>a</sub>	25°	Yes	40,000 hrs	5 Years	cULus
FLED6PAR16/ESDM/840	340 lm	70 lm/W	4000K	80.0+ R <sub>a</sub>	25°	Yes	40,000 hrs	5 Years	cULus

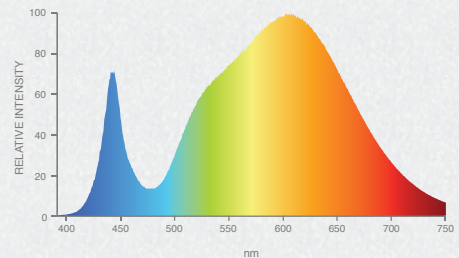
### 1 - LUMINANCE DISTRIBUTION DIAGRAM



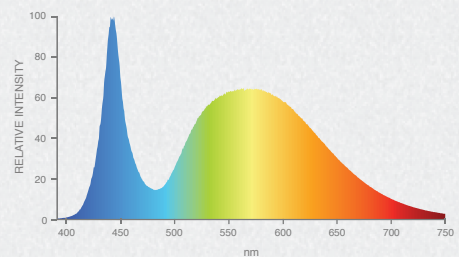
### 2.1 - SPECTRAL DISTRIBUTION DIAGRAM - 827



### 2.2 - SPECTRAL DISTRIBUTION DIAGRAM - 830



### 2.2 - SPECTRAL DISTRIBUTION DIAGRAM - 840



Contractor:	
Project:	Date:
Prepared by:	Model#:



## ELECTRICAL SPECIFICATIONS

Part Number	Lamp Watts	Lamp Operating Voltage	Operating Frequency	Lamp Operating Current	Power Factor	Driver
FLED6PAR16/ESDM/827	6W ± 10%	120V ± 10%	60 Hz	0.58A ± 10%	λ ≥ 0.70	Integral
FLED6PAR16/ESDM/830	6W ± 10%	120V ± 10%	60 Hz	0.58A ± 10%	λ ≥ 0.70	Integral
FLED6PAR16/ESDM/840	6W ± 10%	120V ± 10%	60 Hz	0.58A ± 10%	λ ≥ 0.70	Integral

## PHYSICAL SPECIFICATIONS

Part Number	Lamp Style	Base	Max. Overall Length (MOL)	Max. Overall Diameter (MOD)	Mass	Operating Temperature	Storage Temperature
FLED6PAR16/ESDM/827	PAR16/HR16	E26 (Medium)	73.08 ± 2.0mm	50 ± 1.0mm	107.0 ± 10g	-20°C ~ +40°C	-30°C ~ +60°C
FLED6PAR16/ESDM/830	PAR16/HR16	E26 (Medium)	73.08 ± 2.0mm	50 ± 1.0mm	107.0 ± 10g	-20°C ~ +40°C	-30°C ~ +60°C
FLED6PAR16/ESDM/840	PAR16/HR16	E26 (Medium)	73.08 ± 2.0mm	50 ± 1.0mm	107.0 ± 10g	-20°C ~ +40°C	-30°C ~ +60°C

## ORDERING INFORMATION

Part Number	Package Dimensions	Package Weight	Case Quantity	Case Dimensions	Case Weight	Carton Quantity	Carton Dimensions	Carton Weight
FLED6PAR16/ESDM/827	65 x 65 x 94 mm	0.22 lbs - 100 g	10	345 x 141 x 102mm	2.2 lbs - 1.0 kg	20	345 x 291 x 117mm	4.4 lbs - 2.0 kg
FLED6PAR16/ESDM/830	65 x 65 x 94 mm	0.22 lbs - 100 g	10	345 x 141 x 102mm	2.2 lbs - 1.0 kg	20	345 x 291 x 117mm	4.4 lbs - 2.0 kg
FLED6PAR16/ESDM/840	65 x 65 x 94 mm	0.22 lbs - 100 g	10	345 x 141 x 102mm	2.2 lbs - 1.0 kg	20	345 x 291 x 117mm	4.4 lbs - 2.0 kg

COLOUR CODING    27000k    **827**    3000k    **830**    4000k    **840**

