

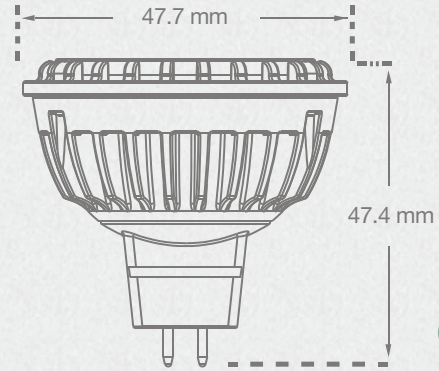
Contractor:	
Project:	Date:
Prepared by:	Model#:



6W LED MR16

FLED SERIES SPECIFICATION

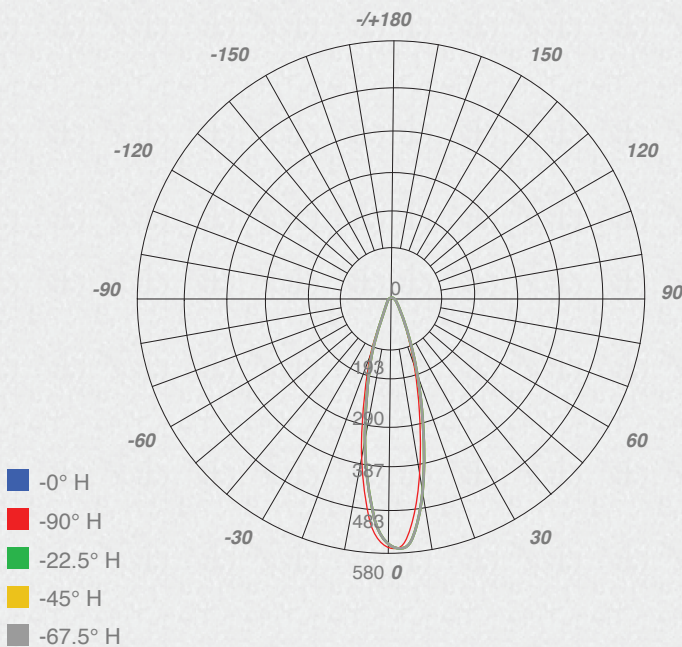
To supply and install Fusion brand Integrated LED lamps as specified. The lamp shall be constructed of a die-cast aluminum heat sink with integrated driver and LED cluster, with an GU 5.3 base. The LED shall provide a CRI of at least 80 for improved colour rendering, and a minimum efficacy as listed by the lamp specification. The lamps shall be dimmable. The lamps shall be Energy Star approved where stated. The lamp shall be cULus approved.



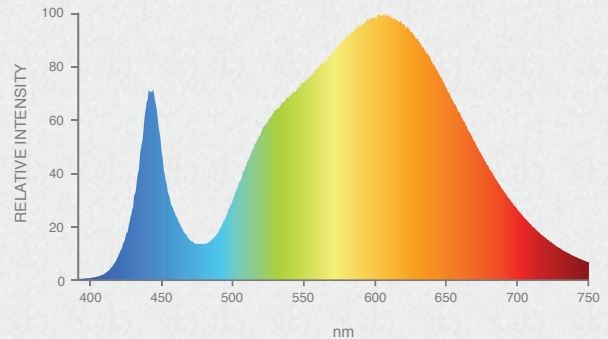
PERFORMANCE SPECIFICATIONS

Part Number	Luminous Flux	Efficacy (lm/W)	Colour Temp.	CRI	Beam Angle	Dimmable	Rated Life	Warranty	Approvals
FLED6MR16/ESDM/830	330 lm	57 lm/W	3000K	82.4 R _a	25°	Yes	25,000 hrs	5 Years	Energy Star, cULus
FLED6MR16/ESDM/840	330 lm	58 lm/W	4000K	82.1 R _a	25°	Yes	25,000 hrs	5 Years	cULus

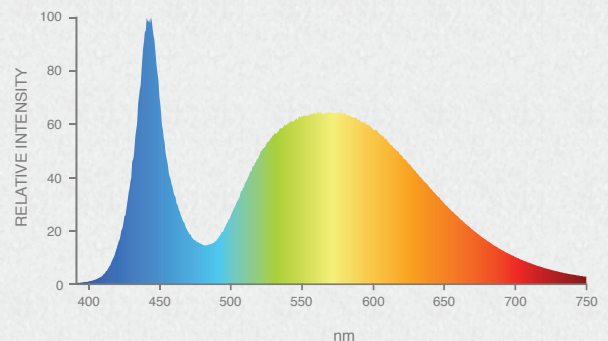
1 - LUMINANCE DISTRIBUTION DIAGRAM



2.1 - SPECTRAL DISTRIBUTION DIAGRAM - 830



2.2 - SPECTRAL DISTRIBUTION DIAGRAM - 840



Contractor:	
Project:	Date:
Prepared by:	Model#:



ELECTRICAL SPECIFICATIONS

Part Number	Lamp Watts	Lamp Operating Voltage	Operating Frequency	Lamp Operating Current	Power Factor	Driver
FLED6MR16/ESDM/830	6W ± 10%	12V ± 10%	60 Hz	0.76A ± 10%	$\lambda \geq 0.70$	Integral
FLED6MR16/ESDM/840	6W ± 10%	12V ± 10%	60 Hz	0.76A ± 10%	$\lambda \geq 0.70$	Integral

PHYSICAL SPECIFICATIONS

Part Number	Lamp Style	Base	Max. Overall Length (MOL)	Max. Overall Diameter (MOD)	Mass	Operating Temperature	Storage Temperature
FLED6MR16/ESDM/830	MR16	GU 5.3	47.4 ± 1.5mm	50 ± 0.5mm	56.5 ± 5g	-20°C ~ +45°C	-30°C ~ +60°C
FLED6MR16/ESDM/840	MR16	GU 5.3	47.4 ± 1.5mm	50 ± 0.5mm	56.5 ± 5g	-20°C ~ +45°C	-30°C ~ +60°C

ORDERING INFORMATION

Part Number	Package Dimensions	Package Weight	Case Quantity	Case Dimensions	Case Weight	Carton Quantity	Carton Dimensions	Carton Weight
FLED6MR16/ESDM/830	57 x 57 x 75 mm	0.17 lbs - 76.5 g	10	290 x 119 x 85 mm	2.2 lbs - 1.0 kg	100	611 x 303 x 189 mm	22.5 lbs - 10.2 kg
FLED6MR16/ESDM/840	57 x 57 x 75 mm	0.17 lbs - 76.5 g	10	290 x 119 x 85 mm	2.2 lbs - 1.0 kg	100	611 x 303 x 189 mm	22.5 lbs - 10.2 kg

COLOUR CODING

3000k

830

4000k

840

