

Contractor:	
Project:	Date:
Prepared by:	Model#: FBGL1000D/M



FBGL1000D/M Magnetic Ballast

SERIES SPECIFICATION

To supply and install Fusion brand Magnetic High Intensity Discharge Ballasts as specified. The ballast shall not contain any Polychlorinated Biphenyls and shall conform to ANSI regulations. The ballast shall be constructed of a core and coil design, with dual voltage capability for operation at 120VAC and 240VAC. The ballast shall be c-UL-us approved.



PERFORMANCE SPECIFICATIONS

Part#	Ballast Type	ANSI Code	Lamp Type	No. of Lamps	Rated Lamp Watts
FBGL1000D/M	Magnetic	M47/S52	MH/HPS	1	1000W

Part#	Input Voltage	Input Frequency	Operating Temp.	Environmental Rating	Remote Mounting
FBGL1000D/M	120/240V	60 Hz	-30°C - +50°C	IP21	15m

ELECTRICAL SPECIFICATIONS

Part#	Operating Current 120VAC / 240VAC	Nominal Open Circuit Voltage	Input Power	Approvals	Capacitor Type
FBGL1000D/M	9.5 / 4.75 A	445 A	1140 W	cULus	26 uF, 525V

ORDERING INFORMATION

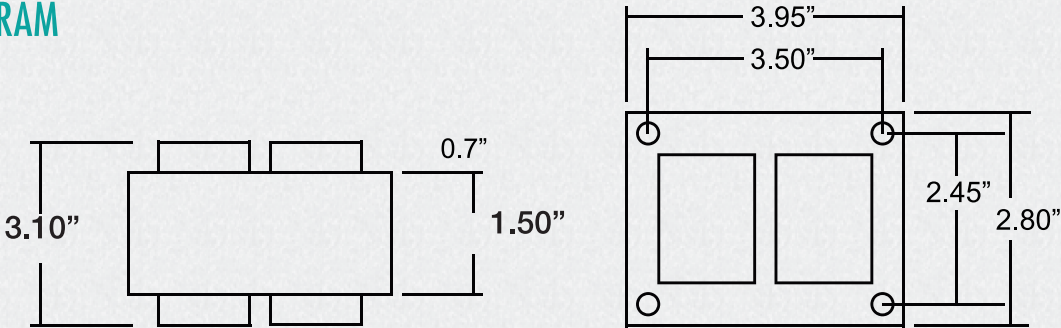
Part#	Package Dimensions	Package Weight	Warranty
FBGL1000D/M	395 x 275 x 255 mm	16.7 kg	5 year limited product warranty

Contractor:	
Project:	Date:
Prepared by:	Model#: FBGL1000D/M

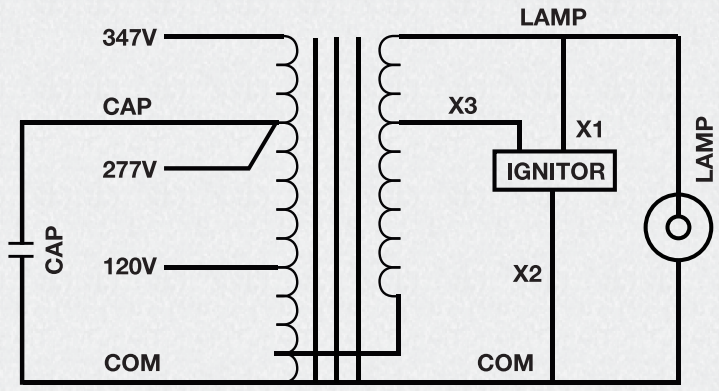


FBGL1000D/M Electronic Ballast

LINE DIAGRAM



WIRING DIAGRAM



Data published here are based on the result of the test under a controlled environment. Actual performance can vary depending on operating conditions. Specifications are subject to change without notice.